

SINGER

103K2

ILLUSTRATED
PRICE LIST OF PARTS

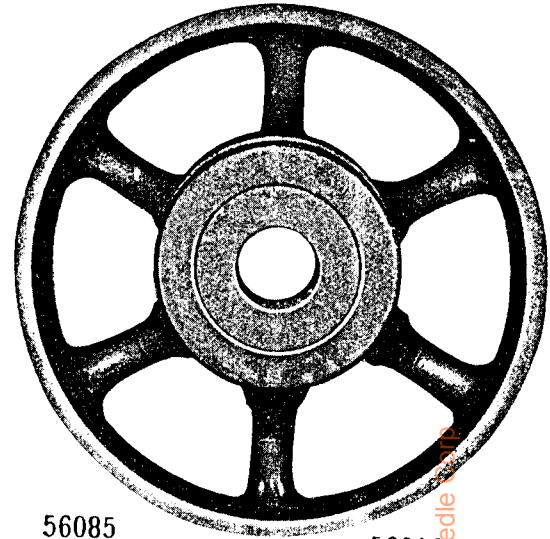
FOR

Machine No. 103K2

THE SINGER MANUFACTURING COMPANY

1914

56017



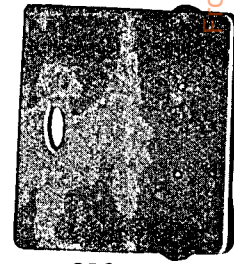
56085



56016



56019



2824



2020

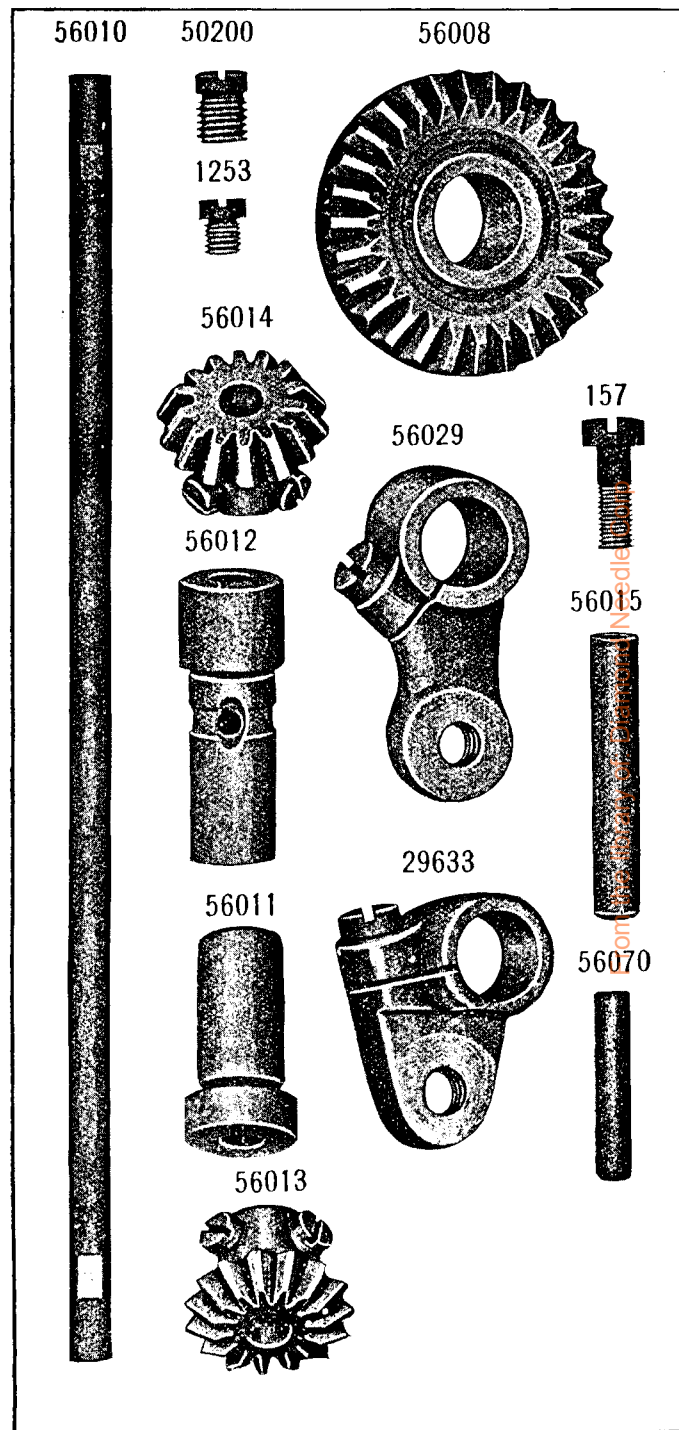
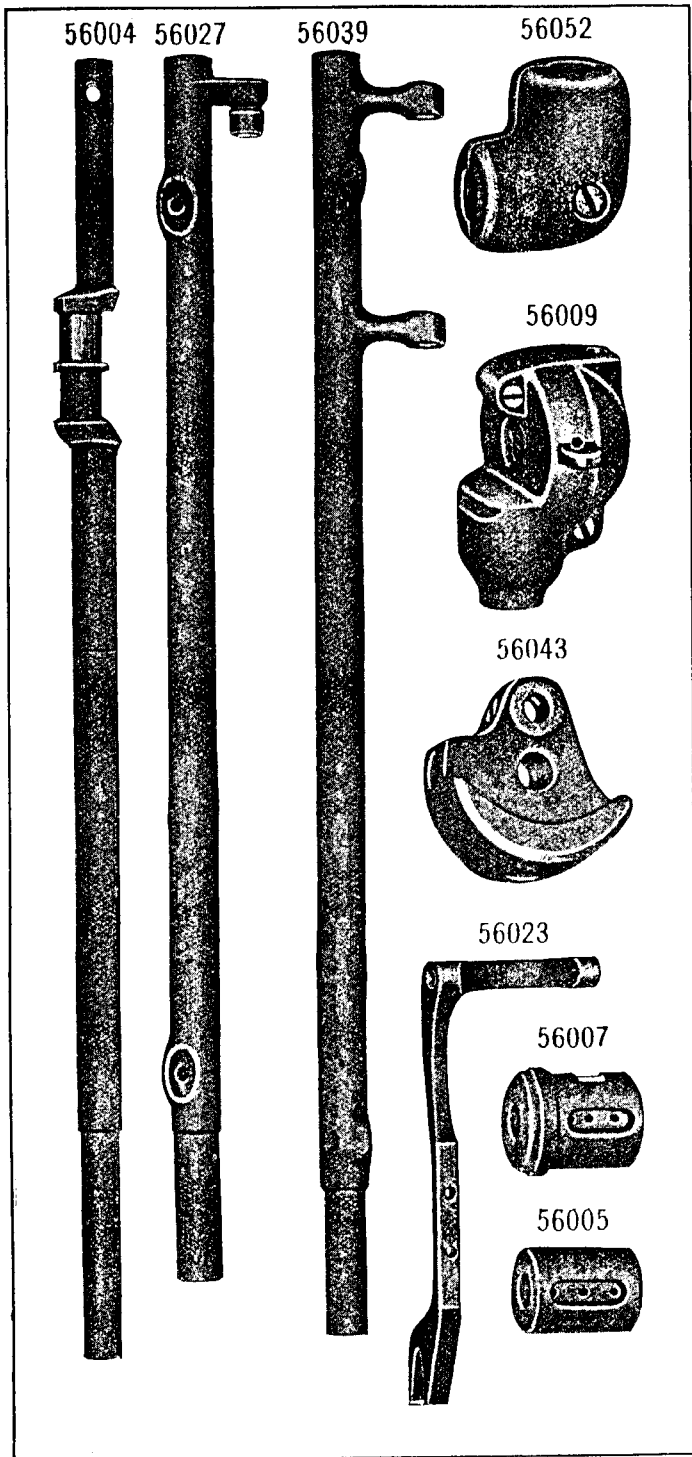


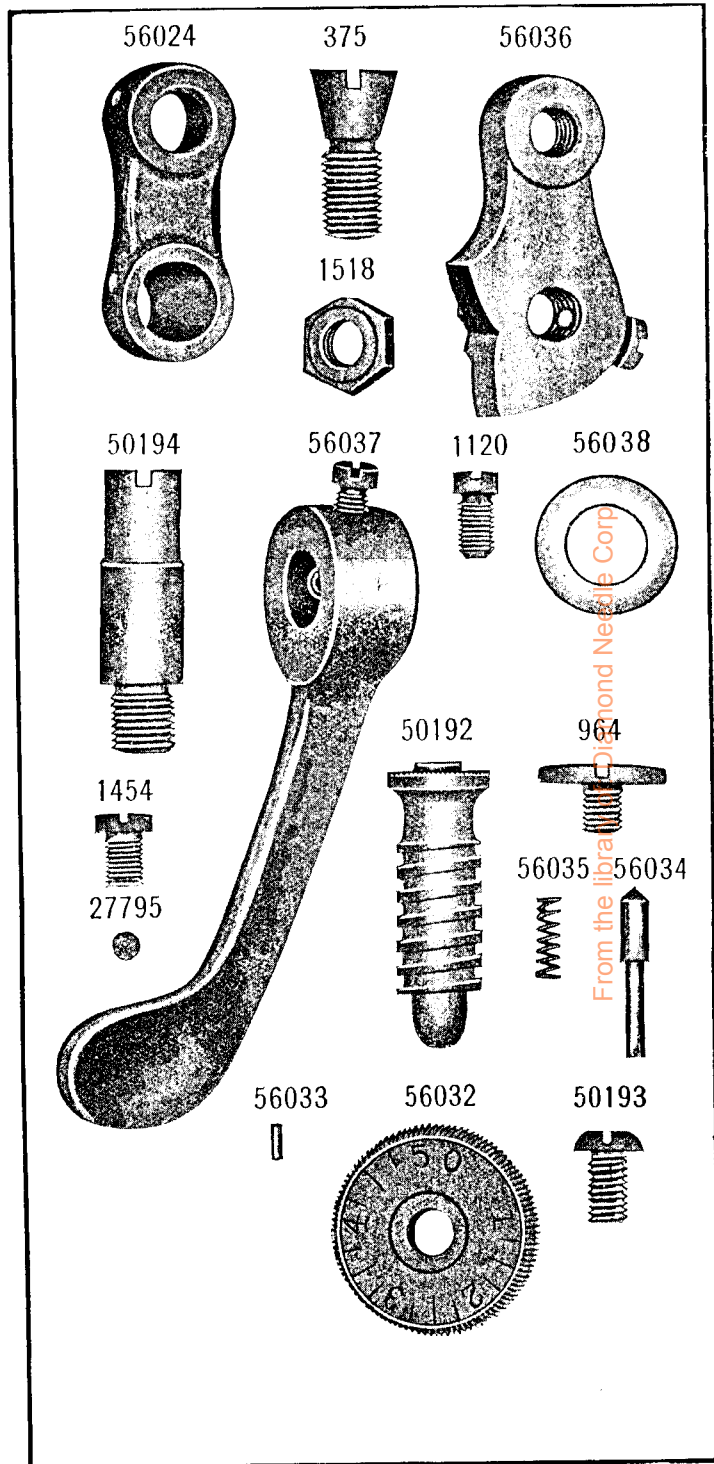
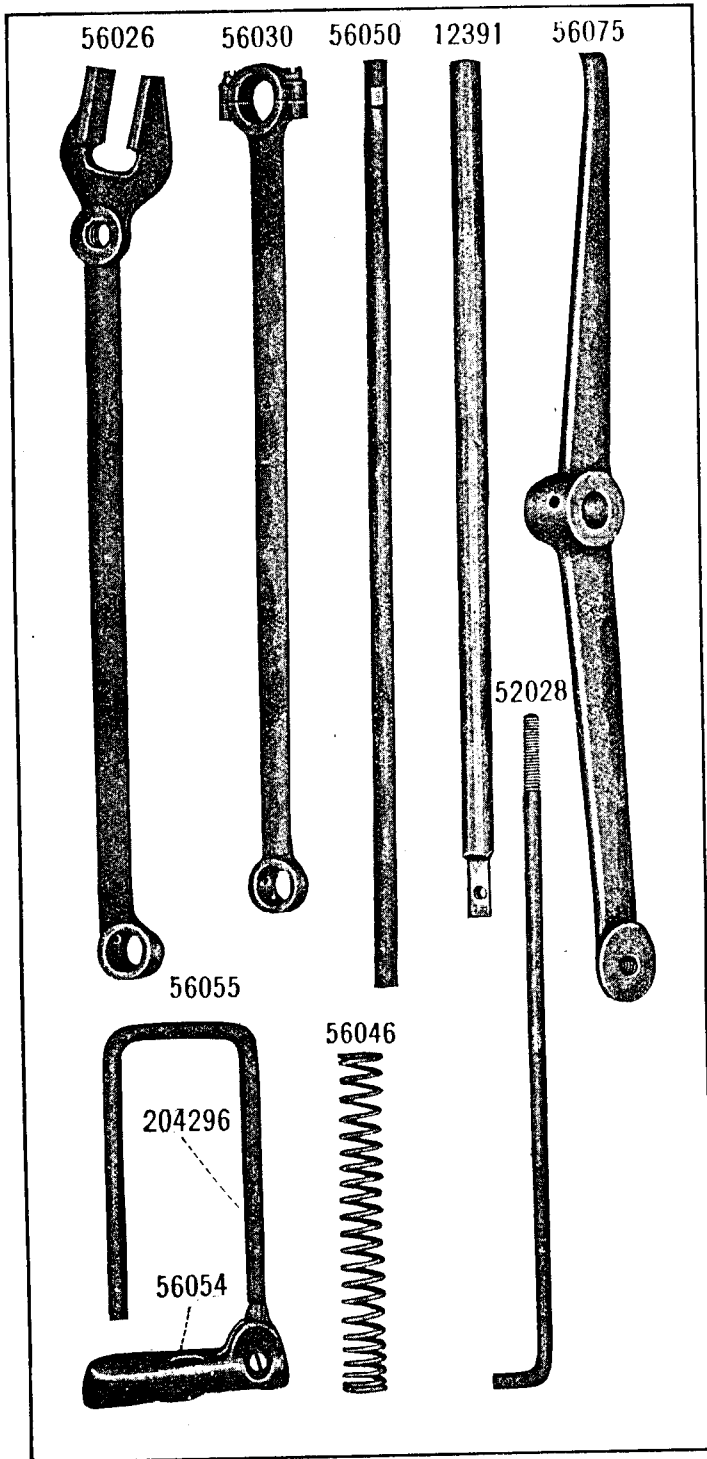
256

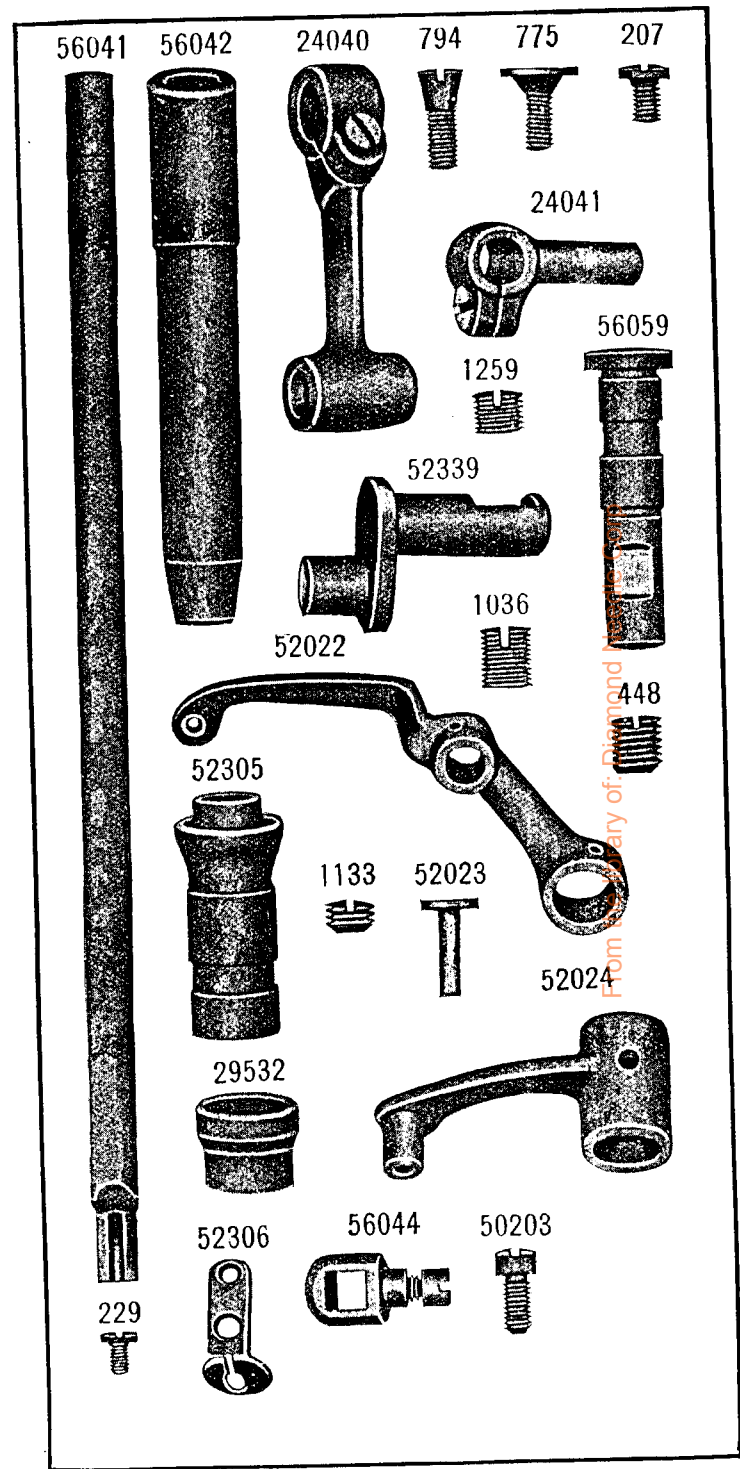
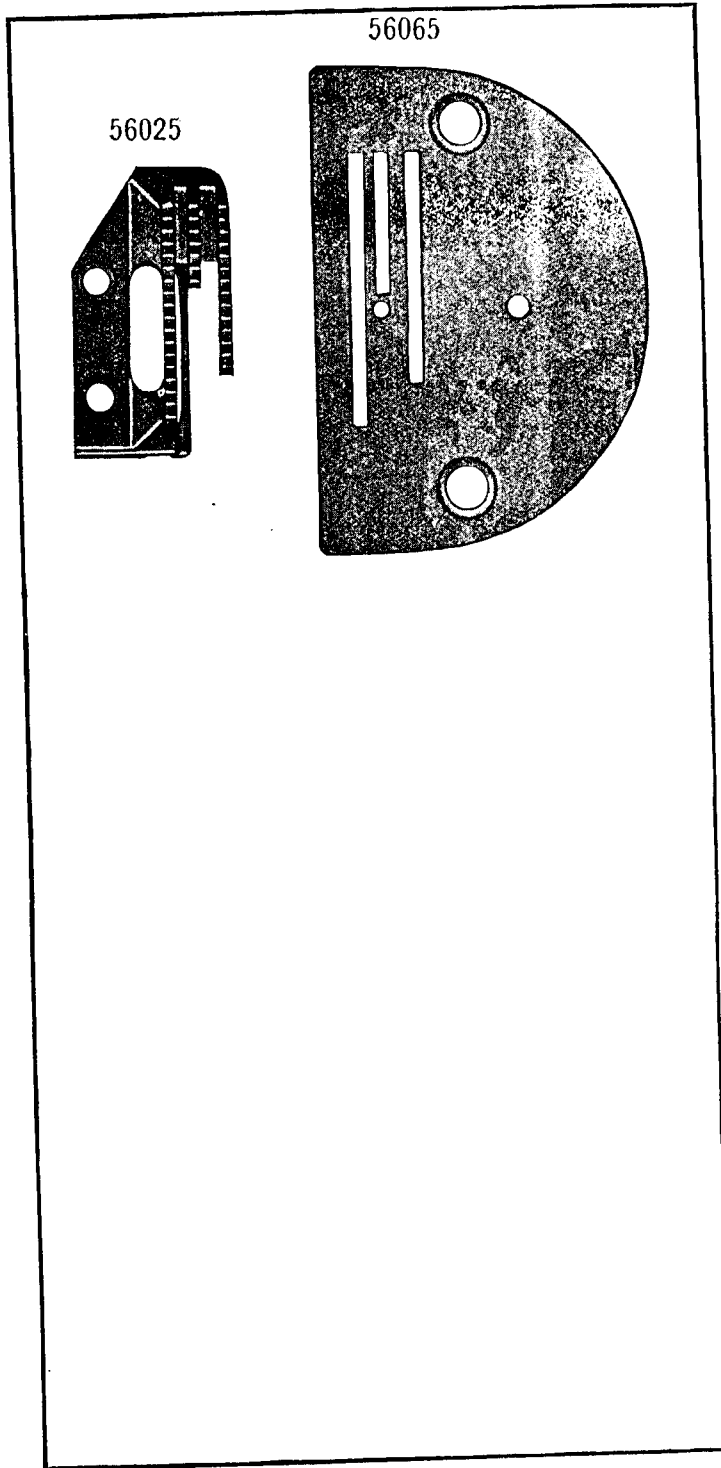


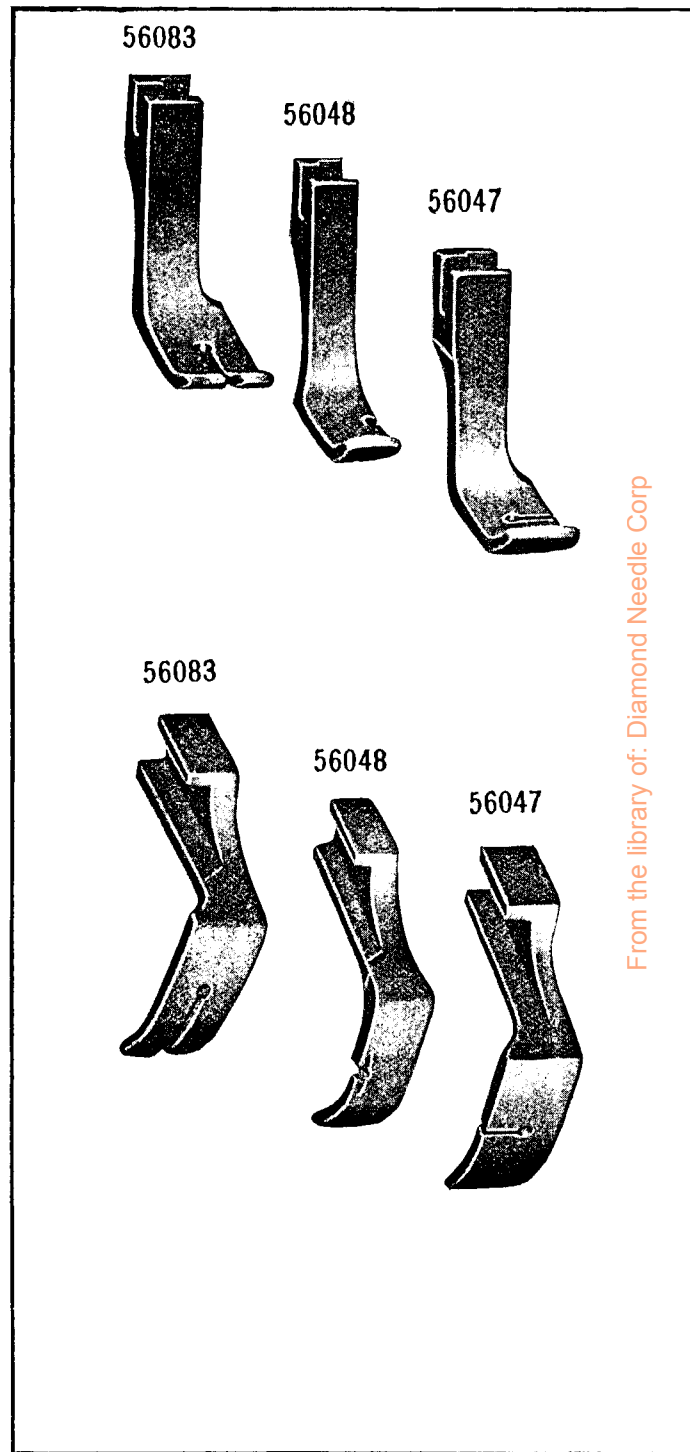
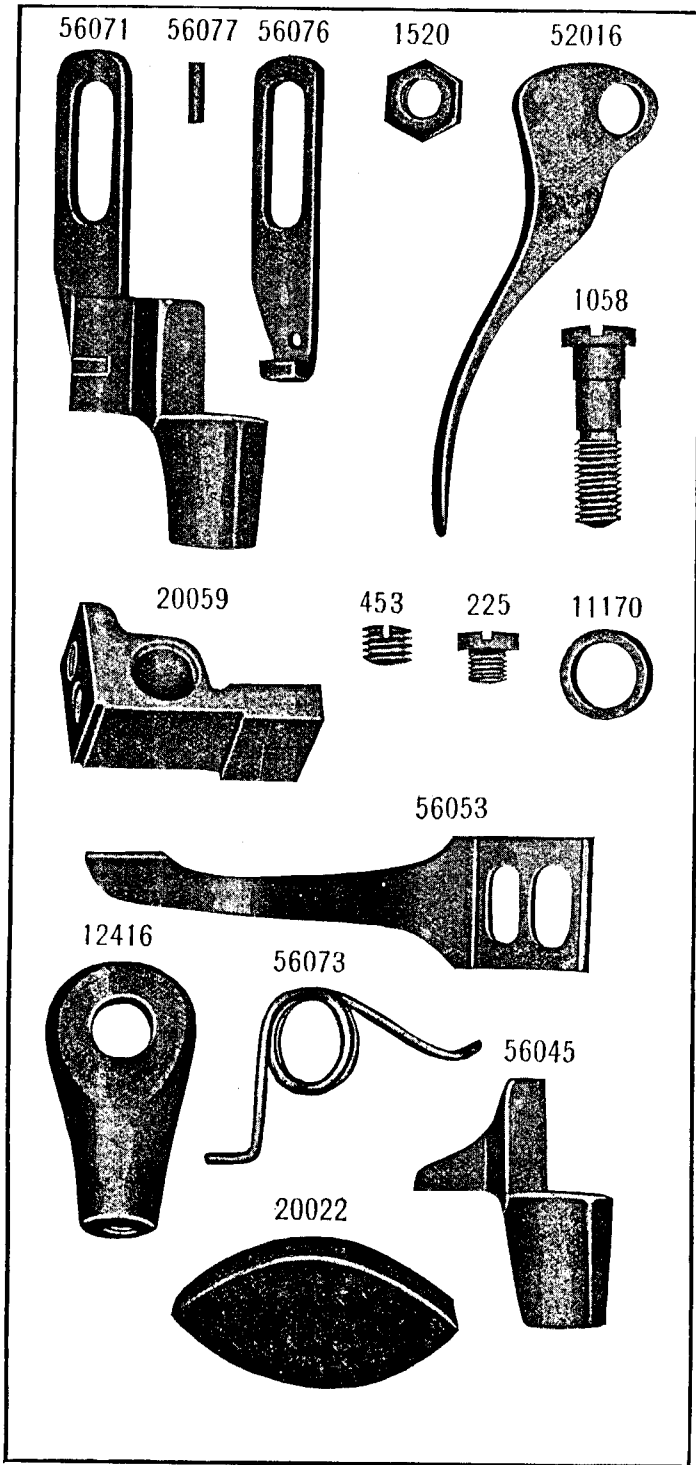
56020



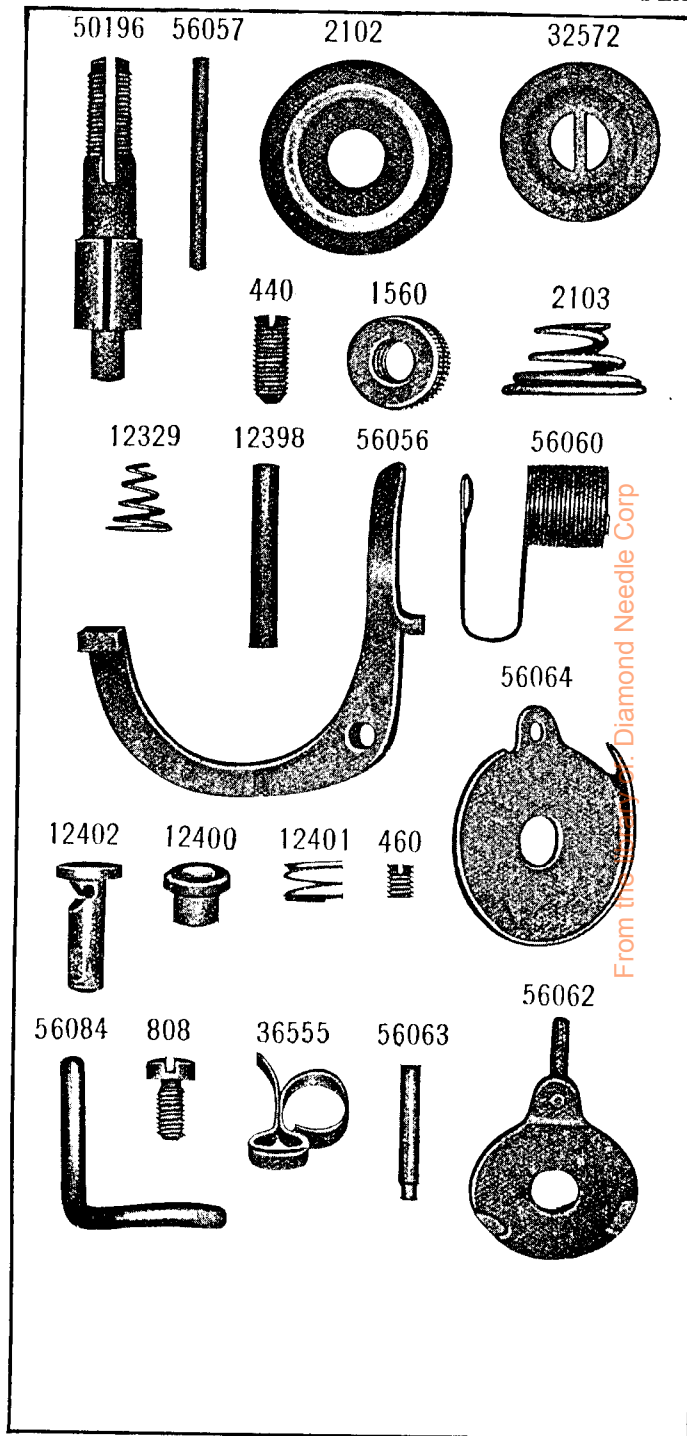
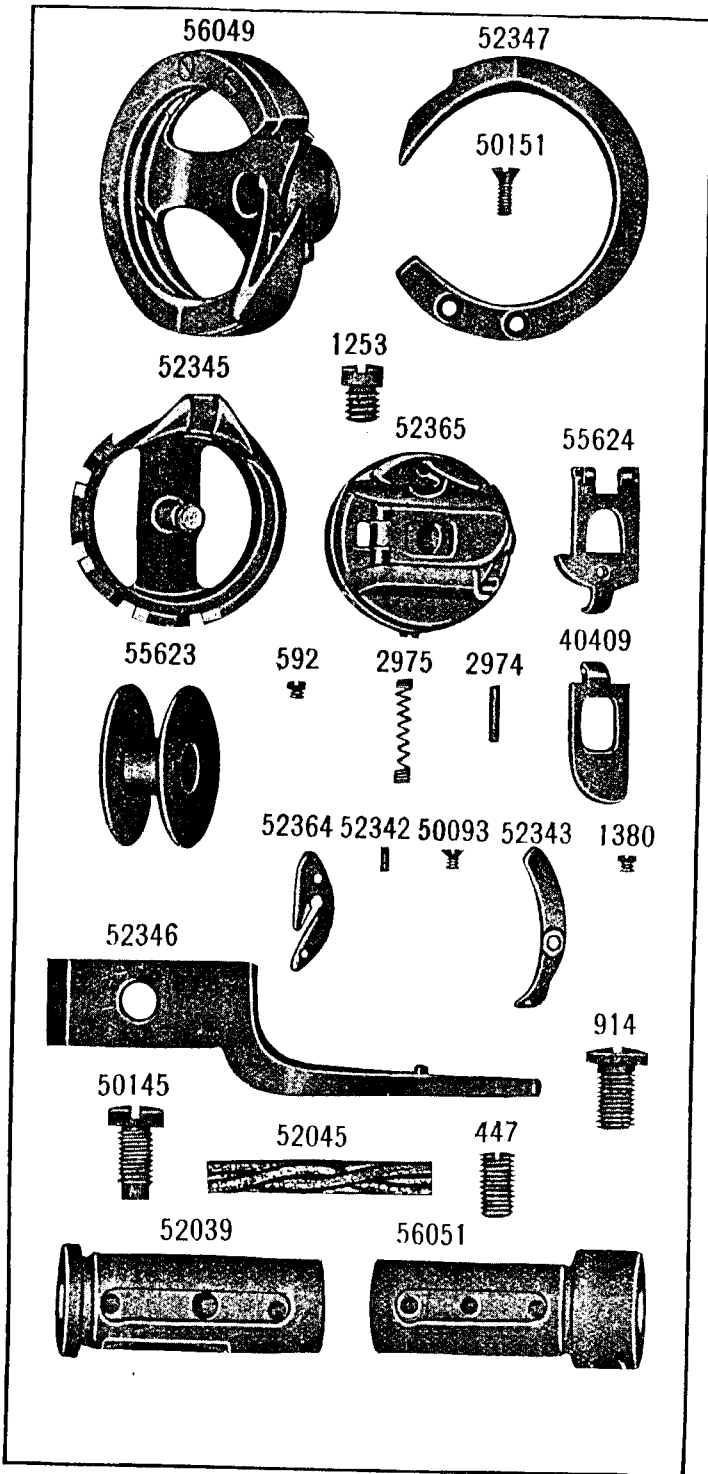


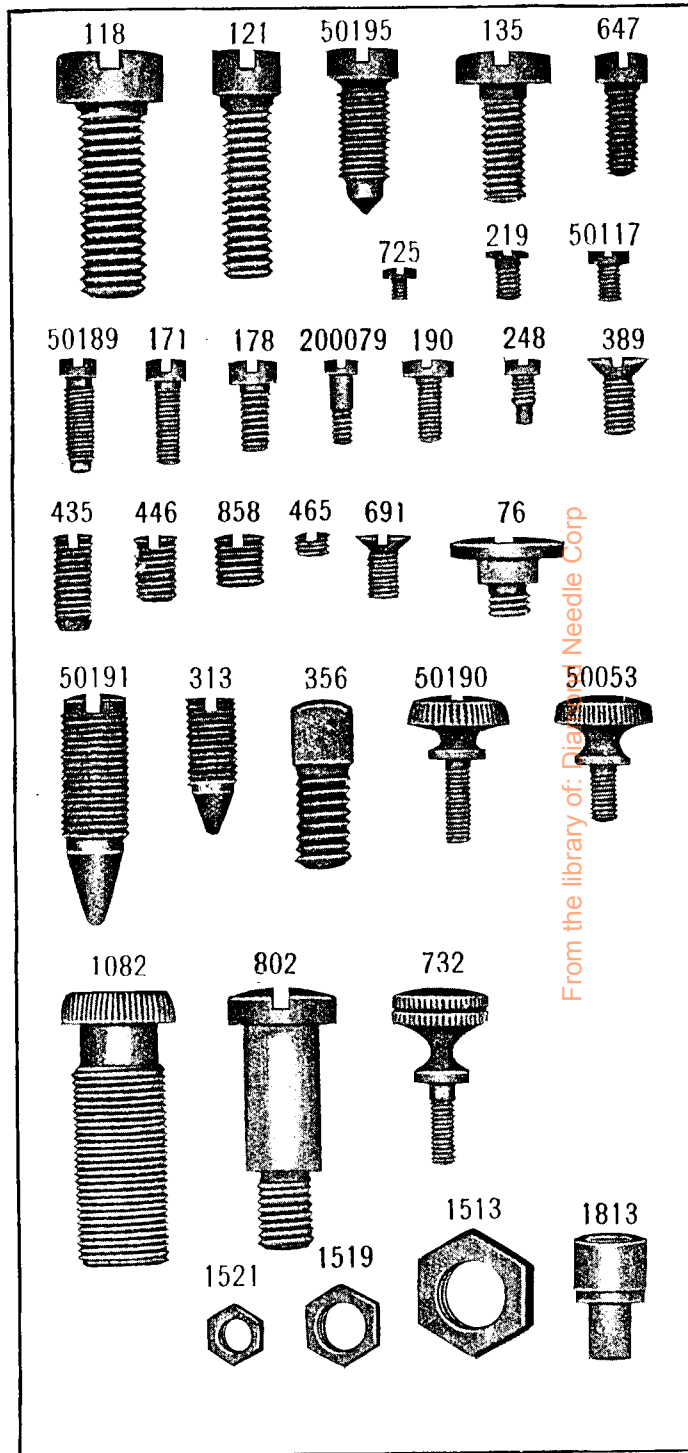
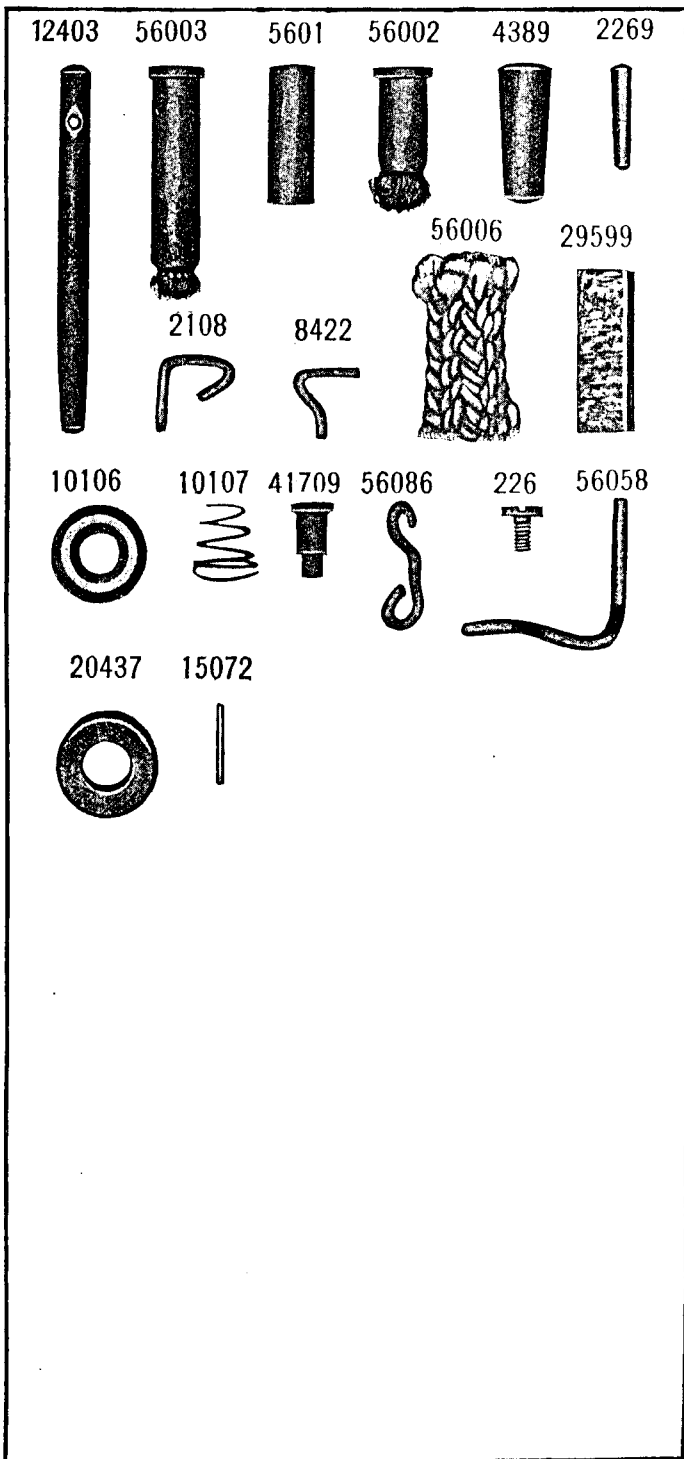




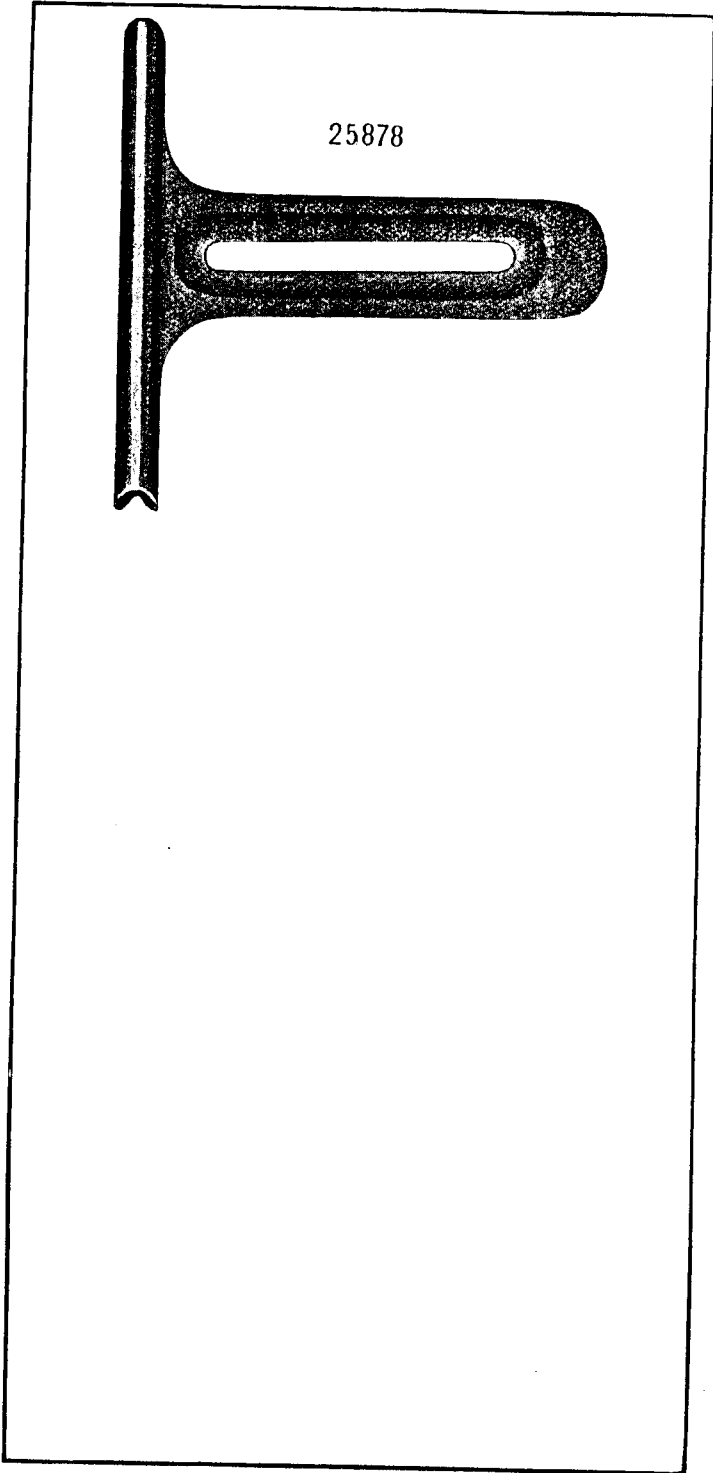


From the library of: Diamond Needle Corp

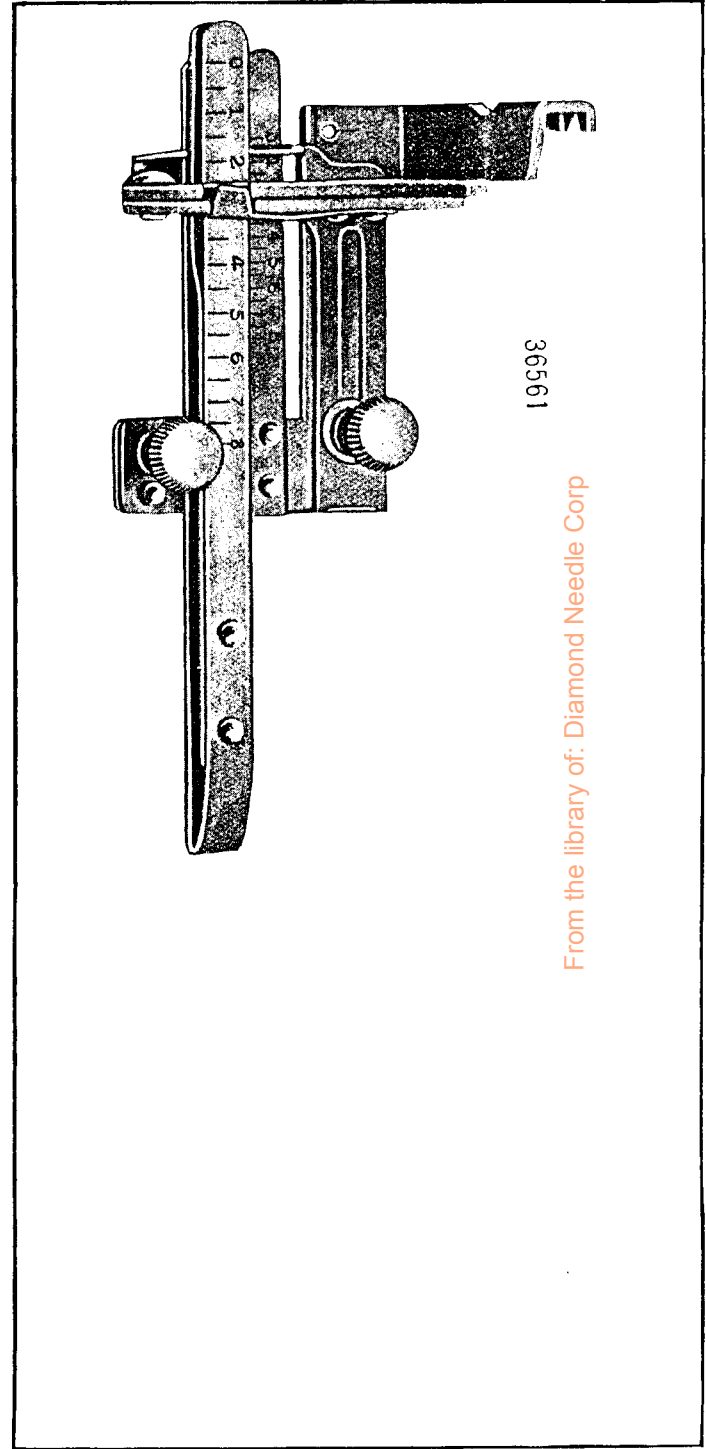




From the library of: **Pfizer** Needle Corp



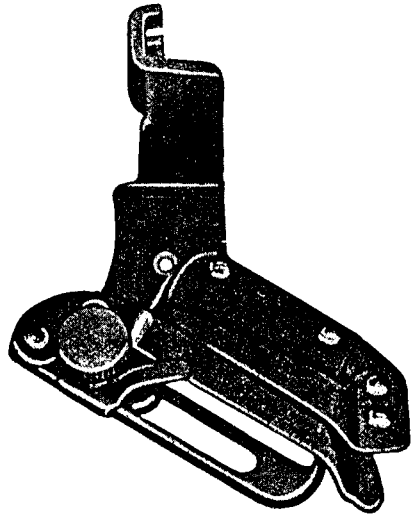
25878



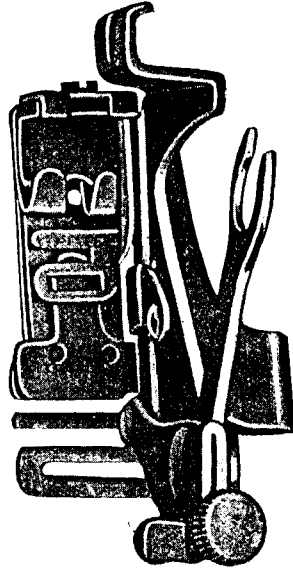
36561

From the library of: Diamond Needle Corp

36559



36560



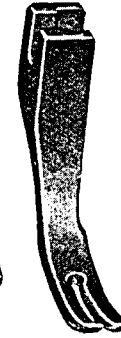
36546



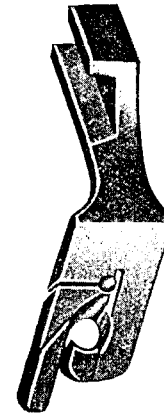
36547



36554



36546



36547

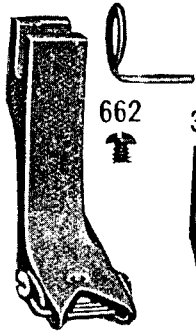


36554



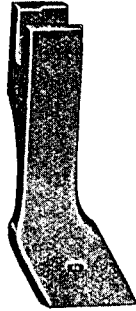
From the library of: Diamond Needle Corp

36549 36550



662

36551



36552



36549



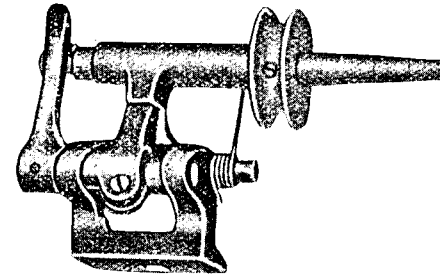
36551



36552



41706



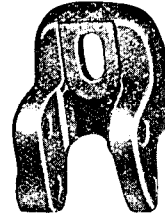
41701



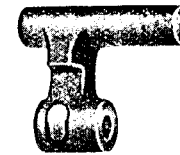
41702



41697



41698



41700



34105



41705



41704



41699

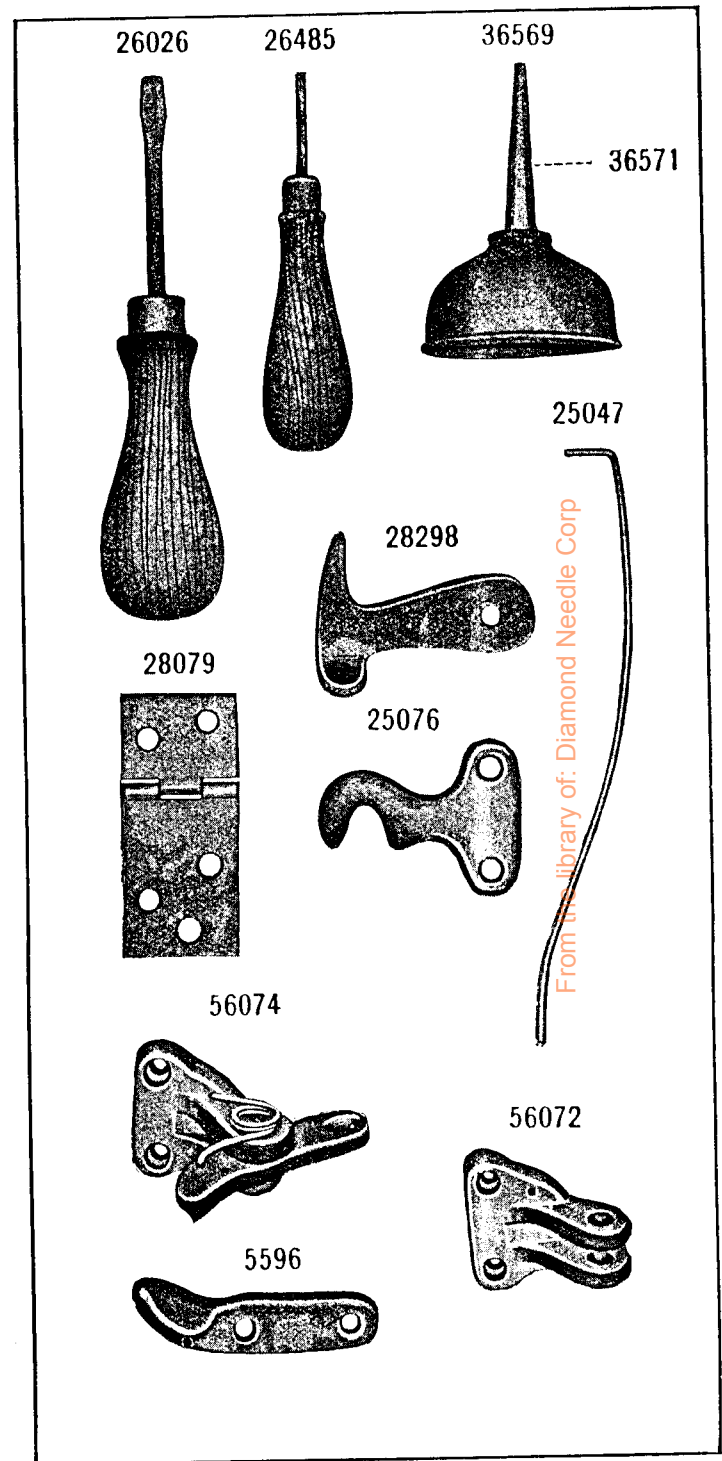
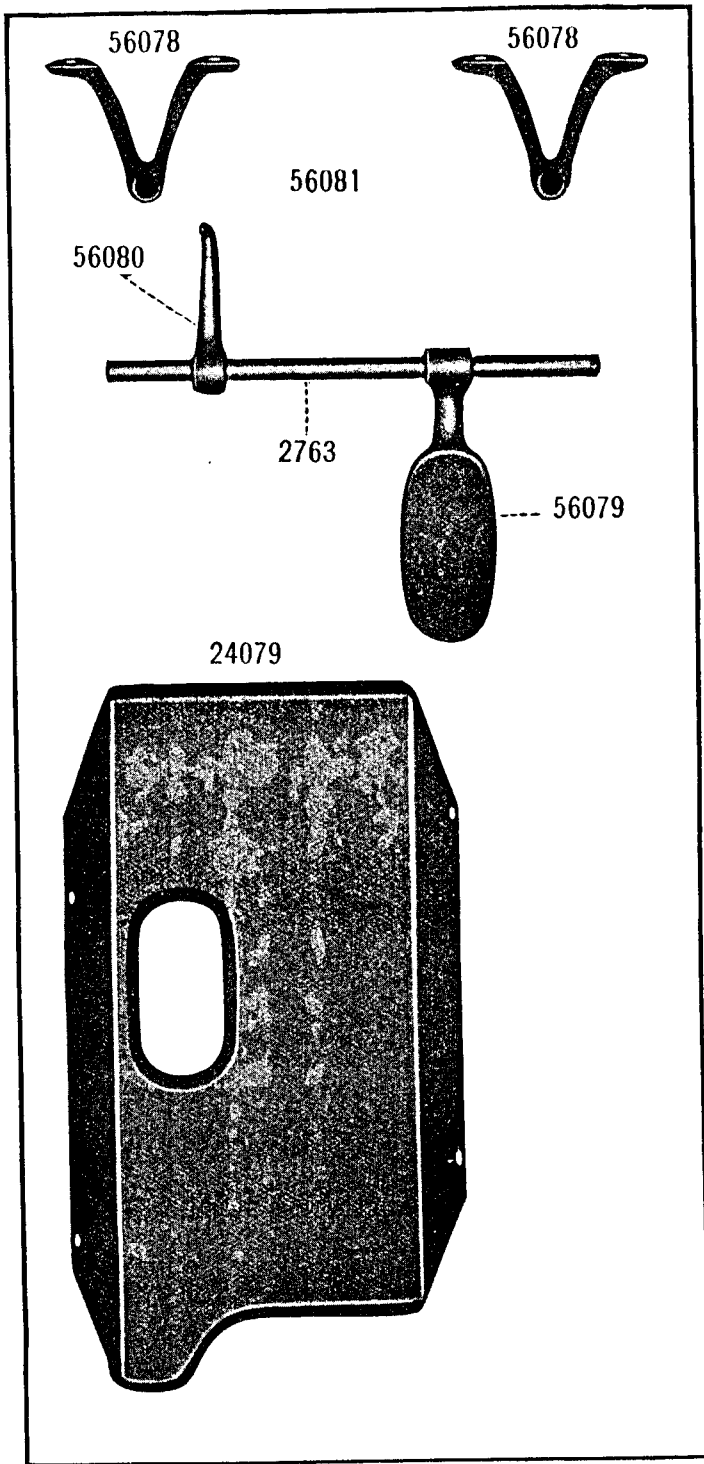


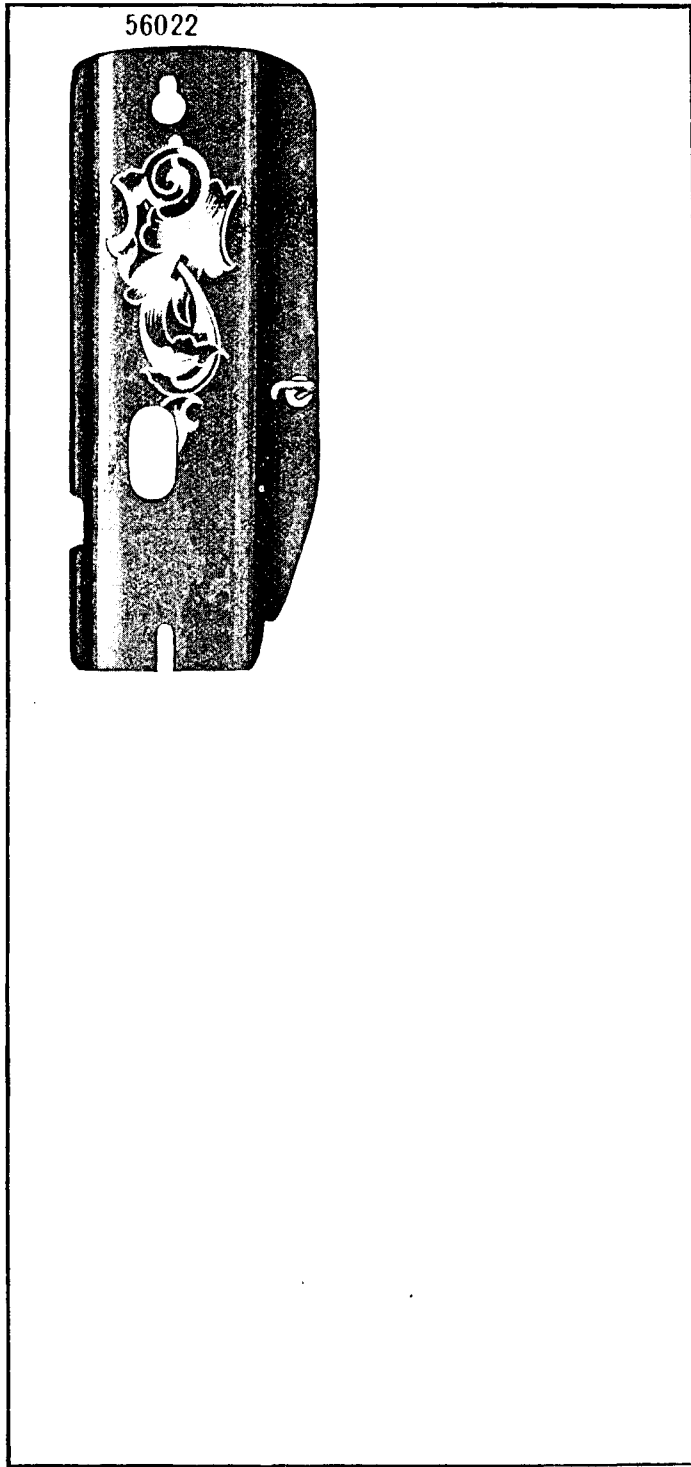
41708



41707

From the library of: Diamond Research Co.





NEEDLES BEST ADAPTED
FOR
Machine No. 103K2

MACHINES.	NEEDLES.	REMARKS.
103K2	16 × 231

CONTENTS

	PAGES
Parts, complete	33-38
Accessories	39
Attachments	39
Presser Feet	39
Bobbin Winder	40
Knee Lifter	41
Stand	41
Table	41
Cover	42
Obsolete Parts	42
Numerical List of Parts	43-52

From the library of: Diamond Needle Corp

ILLUSTRATED
PRICE LIST OF PARTS
 FOR
Machine No. 103K2

In ordering from this List, the prefix and affix letters with the part number **MUST BE** quoted exactly as they are shown in the first column.

A number always indicates the same part in whatever List it may appear, or for whatever machine.

The prefix *SS* indicates Screws made only at Singer.

" " *NN* " Nuts made only at Singer.

" " *RR* " Rollers and Studs made only at Singer.

The affix letters (where shown) indicate the style of finish, as follows:—

- A.** Hardened, Polished and Plated.
- B.** Polished and Plated.
- C.** Hardened only.
- D.** Polished only.
- E.** Soft, not Polished.
- F.** Hardened and Polished.
- H.** Blued.
- J.** Plated only.
- K.** Hardened and Plated.
- L.** Brass or Gilt.
- M.** Oxidized.

In this series

1 to 1500 and 50001 to 51500 are Screw Numbers.

1501 " 1800 are Nut Numbers.

1801 " 2000 are Roller Numbers.

2001 " 50000 are numbers of machine parts, etc.

80001 " 100000 are numbers of machine parts, etc.,
 made only at Singer.

Parts marked with asterisk () are furnished only when the repairs are made at Factory.*

PARTS COMPLETE

FOR

MACHINE No. 103K2

FOR GENERAL WORK IN CLOTH, ROTATING HOOK DRIVEN BY
 GEARS, DROP FEED, REVERSIBLE, C. S. M. DISTANCE FROM
 NEEDLE TO BASE OF ARM $22\frac{1}{2}$ "_m. LENGTH OF
 STITCH ADJUSTABLE FROM $1\frac{1}{2}$ "_m TO $5\frac{1}{2}$ "_m.
 FOR HOME MANUFACTURING.

No.	Plate	Part	Price
*56001	...	Arm	17 9
1389	6447	" Dowel Pin	1
56002	6447	" Oil Tube with 29599 for oiling 52022	3
56003	6447	" " " " 29599 " " 52024	3
29599	6447	" " " Packing (Felt), ... per 100	1 0
118c	6448	" Screw	4
56096	...	" Shaft (horizontal)	8 4
56005	6437	" " (") Bushing (back)	1 5
56006	6447	" " (") " (") Oil Pad (braided cotton)	$\frac{1}{2}$
146c	6448	" " (") " (") Set Screw	1 $\frac{1}{2}$
56007	6437	" " (") Flanged Bushing (front)	2 0
56006	6447	" " (") " " (") Oil Pad (braided cotton)	$\frac{1}{2}$
435c	6448	" " (") " Bushing (front) Set Screw	2
56097	...	" " (") Gear with two 1036c	5 7
56098	...	" " (") " Case (two pieces) with two 647c	3 0
56070	6438	" " (") " " Position Pin	$\frac{1}{2}$
647c	6448	" " (") " " Screw	1 $\frac{1}{2}$
1036c	6442	" " (") " Set Screw	1 $\frac{1}{2}$
56010	6438	" " (upright)	2 0
56099	...	" " (") Bushing (lower)	1 5
56100	...	" " (") " (upper)	2 0
56013	6438	" " (") Gear (lower) with two 1253c	3 0
1253c	6438	" " (") " (") Set Screw	1 $\frac{1}{2}$
56101	...	" " (") " (upper) with two 1253c	3 0
1253c	6438	" " (") " (") Set Screw	1 $\frac{1}{2}$
56015	6438	" " (") Oil Tube (lower)	2 $\frac{1}{2}$
56015	6438	" " (") " " (upper)	2 $\frac{1}{2}$

No.	Plate		Price
56016	6436	Arm Side Cover	7½
50053b	6448	" " " Thumb Screw	5
12403	6447	" Spool Pin and Thread Eyelet	2½
56017	6436	Balance Wheel, 2½" Pulley	3 4
*56018		Bed	18 9
56067b		" Slide	1 0
56019b	6436	Bed Slide, complete, Nos. 2824, 56067b and two 725j...	1 5
2824	6436	Bed Slide Spring	2½
725j	6448	" " " Screw	1
256b	6436	Clamp Stop Motion Clamp Screw	1 3
248a	6448	" " " " Stop Screw	1
2020	6436	" " " " Washer	2½
56020	6436	" " " Flanged Bushing	1 5
50189c	6448	" " " " " Set Screw	2½
56021		Clamp Stop Motion, complete, Nos. 248a, 256b, 2020, 50189c and 56020	3 0
56085	6436	Face Plate with 226d and 56086	2 6
190b	6448	" " Screw	1½
56086	6447	" " Thread Guard	1
226d	6447	" " " " Screw	1
50190b	6448	" " Thumb Screw	5
56023	6437	Feed Bar	1 8
313c	6448	" " Screw Centre	2
1519c	6448	" " " " Nut	1½
56102		" Cam and Lifting Eccentric with two 448c	
448c	6442	" " " " " Set Screw	1½
56024	6440	" Connecting Link	10
375c	6440	" " " Hinge Screw	6
1518c	6440	" " " " " Nut	2
56025	6441	" Dog	1 8
56088		" " for Collars and Cuffs	1 8
56090		" " " " " "	1 8
NOTE. No. 56025 is supplied with this machine unless other Feed Dog is specified on order.			
50117c	6448	Feed Dog Screw	1
56103		" Forked Connection	3 0
375c	6440	" " " Hinge Screw	6
1518c	6440	" " " " " Nut	2
56027	6437	Feed Lifting Rock Shaft with 1813	2 6
56028		Feed Lifting Rock Shaft, complete, Nos. 56027 and 56029	3 6

No.	Plate		Price
56029	6438	Feed Lifting Rock Shaft Crank with 157c	1 0
157c	6438	" " " " " Clamping Screw	2
56104		" " " " " Connecting Rod with 56105 and two 171c	2 8
*56105		Feed Lifting Rock Shaft Crank Connecting Rod Cap	
171c	6448	" " " " " " " " " " Screw	1½
375c	6440	" " " " " " " " " " Hinge Screw	6
1518c	6440	" " " " " " " " " " Hinge Screw Nut	2
1813	6448	" " " " " Roller and Stud	10
50191c	6448	" " " " " Screw Centre	3
1513c	6448	" " " " " " " " " Nut	2½
50192c	6440	Feed Regulating Stud	2 0
56032	6440	" " " " " Head with 56033	1 3
50193j	6440	" " " " " Cap Screw	2½
56033	6440	" " " " " Stop Pin, per 100	5
56034	6440	" " " " " Lock Pin	1½
56035	6440	" " " " " " " Spring	1
56036	6440	" Regulator	3 0
50194e	6440	" " " Screw Stud	7½
1454e	6440	" " " " " Set Screw	1½
27795	6440	" " " " " " " Washer (Brass), per 100	1 0
56037	6440	Feed Reverse Lever with two 1120c	1 0
964d	6440	" " " " Cap Screw	3½
56038	6440	" " " " Friction Washer	1
1120c	6440	" " " " Set Screw	1½
56039	6437	Feed Rock Shaft...	1 8
56040		Feed Rock Shaft, complete, Nos. 29633 and 56039	2 8
29633	6438	Feed Rock Shaft Crank with 157d...	1 0
157c	6438	" " " " " Clamping Screw	2
50191c	6448	" " " " " Screw Centre	3
1513c	6448	" " " " " " " Nut	2½
36546	6452	Feller (foot)	1 5
50190b	6448	" Thumb Screw	5
25878	6449	Guide	7½
732b	6448	" Thumb Screw	5
36547	6452	Hemmer (foot) ¼" hem	3 0
36548		" (") ⅜" hem	3 0
50190c	6448	" Thumb Screw	5
3a			

From the library of: Diamond Needle Corp

No.	Plate		Price
56041	6442	Needle Bar	3 0
52305	6442	" " Bushing (lower) with 29532	3 4
1133e	6442	" " " (") Set Screw	1
56042	6442	" " " (upper)	3 4
1133e	6442	" " " (") Set Screw	1
24040	6442	" " Connecting Link with 794e	2 0
794e	6442	" " " " Adjusting Screw	2 1/2
775e	6442	" " Connecting Link Cap Screw	3
24041	6442	" " " Stud with 207e	1 5
207e	6442	" " " Clamping Screw	1
56043	6437	" " Crank with 858e, 1036e, 1259e and 50195e	3 4
50195e	6448	" " " Position Screw	4
858e	6448	" " " Set Screw	1 1/2
29532	6442	" " Oil Cup	1 1/2
52306	6442	" " Thread Guard	5
229d	6442	" " " Screw	1
56044	6442	" Clamp with 50203f	1 0
50203f	6442	" " Screw	1 1/2
12391	6439	Presser Bar (hollow)	3 4
20059	6443	" " Guide Bracket with 453e	1 5
453e	6443	" " " Set Screw	1
52016	6443	" " Lifter	10
1058c	6443	" " " Screw	5
1520e	6443	" " " Nut	1 1/2
56045	6443	" " Lifting and Releasing Lever Bracket	2 0
56046	6439	" " Spring	2 1/2
11170	6443	" " " Washer	1/2
56047	6444	" Foot for general work	1 10
56083	6444	" " (double toe) for general work	1 10
56048	6444	" " for edge stitching	1 8
50190e	6448	" " Thumb Screw	5
NOTE: No. 56047 is sent with this Machine unless other Presser Foot is specified on order.			
1082e	6448	Pressure Regulating Thumb Screw	10
56049	6445	Rotating Hook with 52347 and two each 1253e and 50151d	10 4
55623	6445	" " Bobbin	2 1/2
55624	6445	" " " Case Latch	5
40409	6445	" " " " Lever	5
2974	6445	" " " " Fulcrum Pin, per 100	5
2975	6445	" " " " Spring	1
592e	6445	" " " " Stop Screw	1
52312	-	" " " Hinge, Nos. 2974, 40409 and 55624	1 0
52364	6445	" " " Delivery Eye Thread Guard	5

No.	Plate		Price
52342	6445	Rotating Hook Bobbin Case Delivery Eye Thread Guard Rivet	1/2
50093f	6445	" " " " Tension Regulating Screw	1
52343	6445	" " " " Spring	5
1380f	6445	" " " " Screw	1
52365	6445	Rotating Hook Bobbin Case , complete, Nos. 592e, 1380f, 2975, 50093f, 52312, 52343, 52364 and two 52342	3 0
52345	6445	Rotating Hook Bobbin Case Holder	7 3
52346	6445	" " " " Position Bracket	2 6
914f	6445	" " " " Screw	2
52347	6445	" " Section	3 0
50151d	6445	" " " Screw	1
1253e	6445	" " Set Screw	1 1/2
56050	6439	" " Shaft	2 6
56106	-	" " " Bushing (back)	2 0
52045	6445	" " " " (") Packing (cotton)	1/2
447e	6445	" " " " (") Set Screw	1 1/2
56107	-	" " " " (front)	2 0
52045	6445	" " " " (front) Packing (cotton)	1/2
50145e	6445	" " " " (front) Set Screw	2 1/2
56013	6438	" " " Gear with two 1253e	3 0
56108	-	" " " Case (two pieces) with 121e	1 5
121e	6448	" " " " Screw	3
1253e	6438	" " " Set Screw	1 1/2
56053	6443	Slack Thread Regulator	1 3
225f	6443	" " " Adjusting Screw	1 1/2
56054	6439	Spool Holder Base	7 1/2
389d	6448	" " " Screw	2
204296	6439	" " " Wire	5
200079e	6448	" " " Hinge Screw	1
56055	6439	Spool Holder , complete, Nos. 56054, 200079e and 204296	1 0
2102	6446	Tension Disc	2 1/2
1560b	6446	" Regulating Thumb Nut	2
32572	6446	" Releasing Disc	2 1/2
56056	6446	" " Lever	10
12398	6446	" " " Hinge Pin	1/2
12329	6446	" " " Spring	1
56057	6446	" " Pin	1 1/2
2103	6446	" Spring	1 1/2
50196e	6446	" Stud	6
440c	6446	" " Set Screw	1 1/2

No.	Plate		Price
36555	6446	Thread Cutter and Holder	2½
56084	6446	" Guard (front of arm)	1½
808f	6446	" " Set Screw	1½
12400	6446	" Retainer Sleeve	2½
12401	6446	" " Spring	½
12402	6446	" " Stud	3½
460c	6446	" " " Set Screw	1
12399	---	Thread Retainer, complete, Nos. 12400 to 12402	7½
52339	6442	Thread Take-up Crank	3 4
1036c	6442	" " " Position Screw	1½
1259c	6442	" " " Set Screw	1½
52022	6442	" " " Lever	1 8
52023	6442	" " " Hinge Pin	2½
52024	6442	" " " Link	1 0
56059	6442	" " " " Hinge Pin	7½
448c	6442	" " " " " Set Screw	1½
56060	6446	" " " Spring	1½
56061	---	" " " Disc	1½
56062	6446	" " " " 56061 with 56063	2½
56063	6446	" " " " Steady Pin	1
56064	6446	" " " " Thread Guard	2½
56065	6441	Throat Plate, large needle hole, for 56025	2 0
56066	---	" " " small needle hole, for 56025	2 0
56089	---	" " " for 56088	2 0
56091	---	" " " small needle hole for 56090	2 0
56092	---	" " " large needle hole for 56090	2 0
691a	6448	" " " Screw	2
NOTE.—Nos. 56065 and 56066 are supplied with this Machine unless other Throat Plates are specified on order.			
56087	6455	Drip Pan	1 0

ACCESSORIES

No.	Plate		Price
20022	6443	Machine Rest (felt) (4)	1
---	---	" " Nails (4)	---
55623	6445	Bobbin (5)	2½
36569	6457	Oiler with 36571	2½
36570	---	" 36569, filled with oil	4
36571	6457	" Spout, 1¾" long	½
25537	---	Screw Driver (large)	2
25538	---	" " (small)	2

ATTACHMENTS

No.	Plate		Price
36559	6451	Hemmer (adjustable)	4 2
36554	6452	Presser Foot (narrow)	1 10
36560	6451	Ruffler	3 6
36561	6450	Tucker	4 2

PRESSER FEET

No.	Plate		Price
36549	6453	Presser Foot with two each 662d and 36550 for braiding	2 3
36550	6453	" " Braid Guide	1
662d	6453	" " " " Screw	1
36551	6453	" " for cording	3 0
36552	6453	" " " gathering	4 2

BOBBIN WINDER

(Swinging Automatic, Left Hand)

No.	Plate		Price
41728	6454	Base	1 5
15072	6447	Bobbin Position Pin, per 100	5
41698	6454	Frame with 465c	1 0
34105	6454	" Hinge Pin	2½
465c	6448	" " " Set Screw	1
41699	6454	" Spring	2½
41700	6454	Pulley with 447c	7½
447c	6445	" Set Screw	1½
41701	6454	Spindle with 15072 for bobbin	7½
41702	6454	" for Cloth... ..	5
41703		" 41701 with 41702	1 0
41729		Stop Latch	5
34105	6454	" " Hinge Pin	2½
2269	6447	" " Pin	½
41730		" " Tripping Arm with 171d	5
171d	6448	" " " Clamping Screw	1½
41731	6454	Bobbin Winder for 41732, Nos. 2269, 41698 to 41700, 41703, 41728 to 41730 and two 34105	5 7
41707	6454	Tension Bracket	5
41708	6454	Tension Bracket, complete, Nos. 8422, 10107, 41707, 41709 and two 10106...	10
219f	6448	Tension Bracket Screw	1
10106	6447	" Disc	1½
10107	6447	" Spring	½
41709	6447	" Stud	1½
8422	6447	" Thread Guide	½
41732		Bobbin Winder (swinging automatic, left hand), complete, Nos. 41708 and 41731	6 5
135d	6448	Bobbin Winder Screw	2½
20437	6447	" " " Washer	1½

KNEE LIFTER PARTS

No.	Plate		Price
5596	6457	Bell Crank	2½
56072	6457	" " Bracket	4
178c	6448	" " " Screw	1½
5601	6447	" " Hinge Pin	½
56073	6443	" " Spring	1
56074	6457	Bell Crank, complete, Nos. 5596, 5601, 56072 and 56073	10
56075	6439	Lifting Lever	10
52028	6439	" " Connecting Rod	5
12416	6443	" " " " Joint	4
76d	6448	" " " " Hinge Screw	3
1521c	6448	" " " " Lock Nut	1½
802d	6448	" " Hinge Screw	5
56076	6443	" " Link	5
56077	6443	" " " Rivet, per 100	5
56071	6443	Presser Bar Lifting and Releasing Lever Bracket with 56076 and 56077	2 6
2763	6455	Rock Shaft	5
56078	6455	" " Hanger with two Wood Screws, 1" No. 10	4
56079	6455	" " Knee Arm with 356c	2 6
356c	6448	" " " Set Screw	3
56080	6455	" " Lifting Arm with 356c	7½
356c	6448	" " " Set Screw	3
56081	6455	Rock Shaft, complete, Nos. 2763, 56079, 56080 and two 56078	2 11
56082		Knee Lifter, complete, Nos. 76d, 802d, 1521c, 12416, 52028, 56071, 56074, 56075, 56081 and two 178c	6 5

STAND

The Stand for this machine is No. 83042 and details of same can be found in Form K1312 (T.M.S. List)

TABLE

83380 | D.L. 1-Dr. Table, complete, 44" x 16½" x 1½"

COVER

83305 | Round Top Cover, 18 $\frac{1}{8}$ " x 8 $\frac{1}{2}$ " x 11"

OBSOLETE PARTS

No.	Plate		Price.
56004	6437	Arm Shaft (horizontal) ...	8 4
56008	6438	" " (") Gear with two 1036c ...	5 7
56009	6437	" " (") " Case (two pieces) with two 647c ...	3 0
56011	6438	" " (upright) Bushing (lower) ...	1 5
56012	6438	" " (") " (upper) ...	2 0
56014	6438	" " (") Gear (") with two 1253c ...	3 0
56022	6458	Face Plate with 2108 ...	2 6
2108	6447	" " Thread Guard ...	$\frac{1}{2}$
56026	6439	Feed Fork Connection ...	3 0
56030	6439	Feed Lifting Rock Shaft Crank Connecting Rod with 56031 and two 171e ...	2 8
56031	—	Feed Lifting Rock Shaft Crank Connecting Rod Cap ...	—
56051	6445	Rotating Hook Shaft Bushing (back) ...	2 0
52039	6445	" " " " (front) cast iron ...	2 0
56052	6437	" " " Gear Case (two pieces) with 121e ...	1 5
56058	6447	Thread Guard (front of arm) ...	$\frac{1}{2}$

NUMERICAL LIST OF PARTS

No.	Plate		Price
76d	6448	Lifting Lever Connecting Rod Joint Hinge Screw for 56082 ...	3
118e	6448	Arm Screw ...	4
121e	6448	Rotating Hook Shaft Gear Case Screw for 56052 ...	3
135d	6448	Bobbin Winder Screw for 41732 ...	2 $\frac{1}{2}$
157e	6438	Feed Lifting Rock Shaft Crank Clamping Screw for 56029 ...	2
157e	6438	Feed Rock Shaft Crank Clamping Screw for 29633 ...	2
171d	6448	Bobbin Winder Stop Latch Tripping Arm Clamping Screw for 41730 ...	1 $\frac{1}{2}$
171e	6448	Feed Lifting Rock Shaft Crank Connecting Rod Cap Screw for 56030 ...	1 $\frac{1}{2}$
178c	6448	Bell Crank Bracket Screw for 56082 ...	1 $\frac{1}{2}$
190b	6448	Face Plate Screw ...	1 $\frac{1}{2}$
207e	6442	Needle Bar Connecting Stud Clamping Screw for 24041 ...	1
219f	6448	Bobbin Winder Tension Bracket Screw for 41708 ...	1
225f	6443	Slack Thread Regulator Adjusting Screw ...	1 $\frac{1}{2}$
226d	6447	Face Plate Thread Guard Screw for 56085 ...	1
229d	6442	Needle Bar Thread Guard Screw ...	1
248a	6448	Clamp Stop Motion Clamp Stop Screw for 56021 ...	1
256b	6436	Clamp Stop Motion Clamp Screw for 56021 ...	1 3
313c	6448	Feed Bar Screw Centre ...	2
356c	6448	Rock Shaft Knee Arm Set Screw for 56079 ...	3
356c	6448	Rock Shaft Lifting Arm Set Screw for 56080 ...	3
375c	6440	Feed Connecting Link Hinge Screw	6
375c	6440	Feed Forked Connection Hinge Screw	6
375c	6440	Feed Lifting Rock Shaft Crank Connecting Rod Hinge Screw ...	6
389d	6448	Spool Holder Base Screw ...	2
435c	6448	Arm Shaft (horizontal) Flanged Bushing (front) Set Screw ...	2
440c	6446	Tension Stud Set Screw ...	1 $\frac{1}{2}$
446c	6448	Arm Shaft (horizontal) Bushing (back) Set Screw ...	1 $\frac{1}{2}$
447c	6445	Bobbin Winder Pulley Set Screw for 41700 ...	1 $\frac{1}{2}$
447c	6445	Rotating Hook Shaft Bushing (back) Set Screw ...	1 $\frac{1}{2}$

From the library of: Diamond Drill Co.